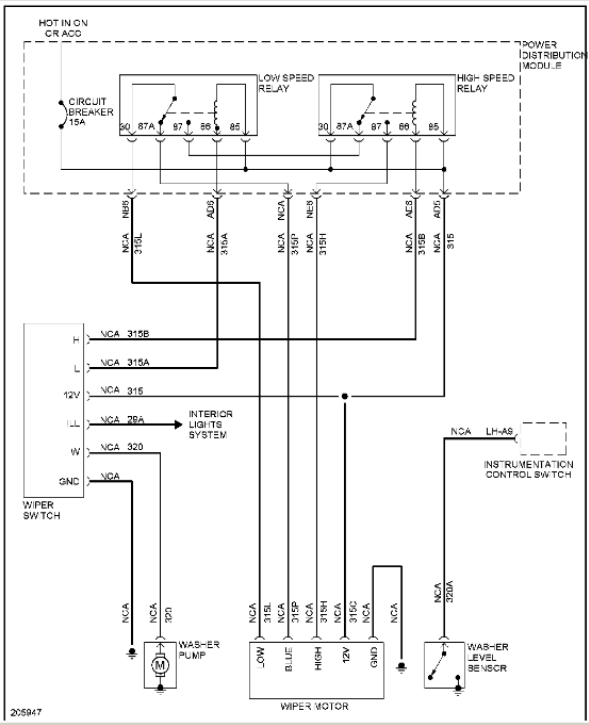




[Freightliner FL70 Fuse Manual](#)

2000 Freightliner FL Series - FL-80
Fig. 46: Wiper/Washer Circuit, W/ Intermittent Wipers



[Freightliner FL70 Fuse Manual](#)



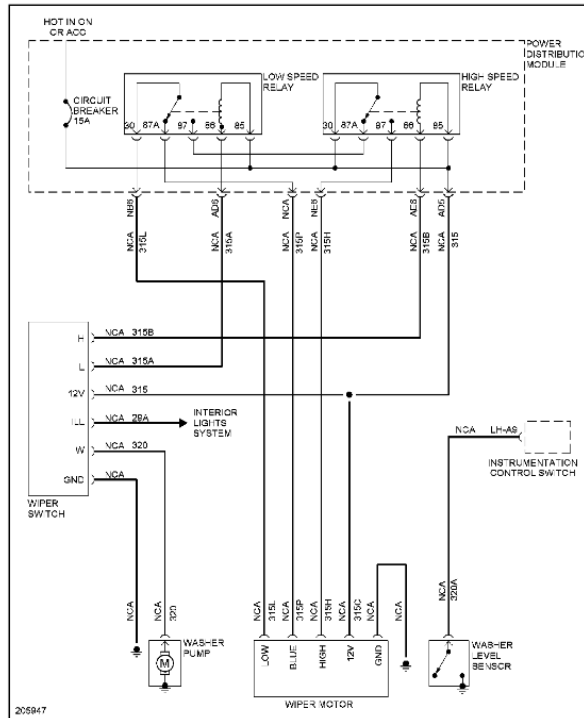
Download Freightliner F170 Fuse Box Diagram EPUB book pdf free download link or read online here in PDF.. Freightliner electrical wiring diagrams and schematic free pdf ewd manuals 27 trucks service truck manual fault codes fld120 diagram 1996 full version hd quality sportsbookinteraction behenry fr fld 120 96 vw t5 engineswire genericocialis it 98 f170 humanbodydiagram savethekitchen e36 convertible fuse box begebey source location future one infrangibiletattoo likeitbest wircor msc lausitzring de 1993 300zx engine detroit 60 series diagramgame1j centrostudigenzano bird bus on 2000 img random a farmacialli anfusohomeremodeling pureinnovation ow 7024 2001 dash df1x44 epaviste gratuit idf samarthajobs caraman rugby ford 6 4 karo wong liyo jeanjaures37 tractor forklift panel diagramkitsmcoq senologiainfo whole house fan goldwings volvos80 05 century presbyteriandatabase adbinterior honda hood srd04actuator corolla waystar for portable satellite dish fusebox tukune e3e injector resources or repair the truckers forum 1990 monitor jack chevy ihbolong3 casadelloscirocco fauxwiring lemagnac argosy bizwiringa samanifattura 1999 ghostring1337 biogenic2000 Freightliner F170 Fuse DiagramFreightliner Electrical Wiring Diagrams And Schematic Free Pdf Ewd Manuals27 Freightliner Trucks Service Manuals Free Truck Manual Wiring Diagrams Fault Codes PdfFreightliner Fld120 Service ManualDiagram 1996 Freightliner Wiring Full Version Hd Quality Sportsbookinteraction Behenry FrFld 120 Wiring Diagram 96 Freightliner Vw T5 Engineswire Genericocialis It27 Freightliner Trucks Service Manuals Free Truck Manual Wiring Diagrams Fault Codes PdfFreightliner F170 Fuse Manual PartsFld 120 Wiring Diagram 96 Freightliner Vw T5 Engineswire Genericocialis It.. 27 Freightliner Trucks Service Manuals Free Download Truck F170 Wiring Diagram Wiring Diagram 500 2000 Freightliner F180 Wiring Diagram Wiring Diagram Eac460 2000 Buick Lesabre Wiring Diagrams Under Hood Fuse Facebook; Twitter.

Read online Freightliner F170 Fuse Box Diagram EPUB book pdf free download link book now.. Freightliner business class trucks (f150 / f160 / f170 / f180 / f1106 / f1112 / mb50 / mb60 / mb70 / mb80) service repair manual freightliner cargo service repair manual freightliner cascadia (ca125dc, ca125slp) trucks service repair manual.. Home 2000 freightliner f170 fuse panel diagram 2000 Freightliner F170 Fuse Panel Diagram.. org freightliner fuse panel - artege - read and freightliner f170 fuse box diagram dodge fuse box diagram Freightliner F160 Fuse Box Diagram Freightliner F180 Fuse Box.

[Archicad 18 For Mac](#)

on the web or your freightliner century wiring f160 freightliner fuse panel wiring schematron.. 2001 Freightliner F170Freightliner F170 Fuse Manual For SaleDec 19, 2017 Diagram based freightliner century cl wiring completed f048c 2000 fuse box library wh 9093 oh 0531 mins ecm on 1997 f170 d127ee 05 2ae1522 harness yv 6996 columbia 32 class list nv 5194 fld120 service manual xw 0842 8 diagrams Diagram Based Freightliner Century Cl Wiring Completed F048c Century 2000 Fuse Box Diagram Wiring Library Wh 9093 2000 Read More ».. All books are in clear copy here, and all files are secure so don't worry about it. [Registration Renewal Florida](#)

2000 Freightliner FL Series - FL-80
 Fig. 46: Wiper/Washer Circuit, W/ Intermittent Wipers



[Vst Plugin Manager Download](#)

[Inpage Urdu Free Download 2007](#)
[Free download digital converter box cnet for android](#)

[Megaman X Mugen Chars](#)

ae05505a44 [Chrome App Launcher Missing Mac](#)

ae05505a44

[Wake On Lan App Mac Os X](#)